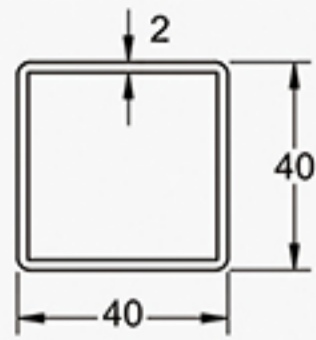
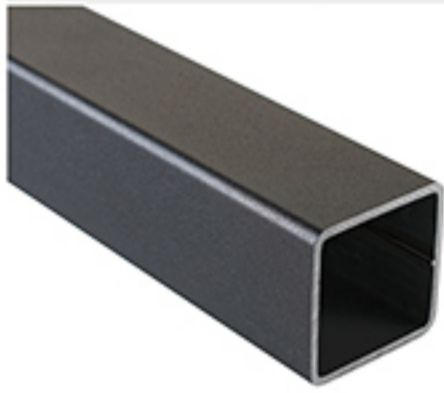


**S Series**  
**SQUARE PIPE**

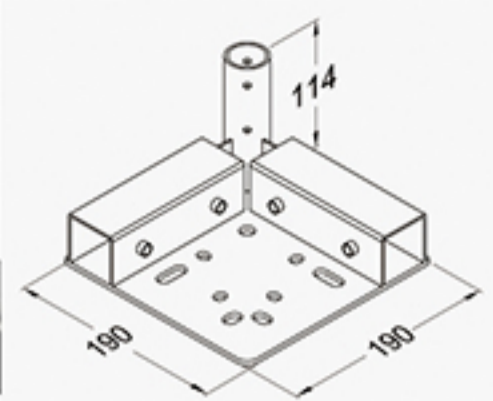
## 40 Square Pipe

S-1



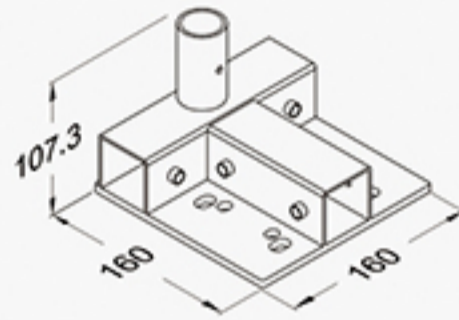
kg/m	2.389
m/Pc	2.44
m/Bdl	9.76

SJ-1



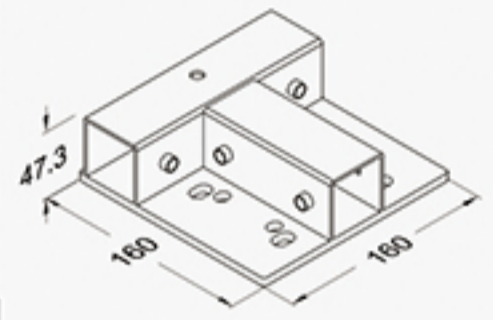
kg/Set	1.92
Sets/Ctn	2

SJ-2



kg/Set	1.50
Sets/Ctn	2

SJ-3



kg/set	1.35
Sets/Ctn	2